

8162/9 Series Breather

ACCESSORIES



CLASSIFICATIONS

NEC- Class I, Zones 1 & 2 AEx e II
Class I, Division 2



LISTED - File No. E200949



File No. 3000248

Material: Nylon
Ingress Protection

IP54, Type 3R

when installed in enclosures
of the same rating

Application

The breather is designed for ventilation where there is the possibility of moisture or condensation being trapped within an enclosure.


Features:

The breather is suitable for installation in 3/4" conduit hubs or drilled and tapped conduit openings of general purpose or increased safety enclosures. They must be protected from severe impact. The felt insert is replaceable.

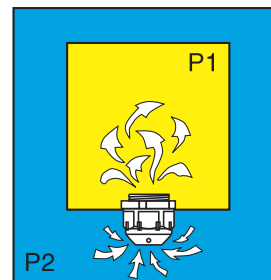
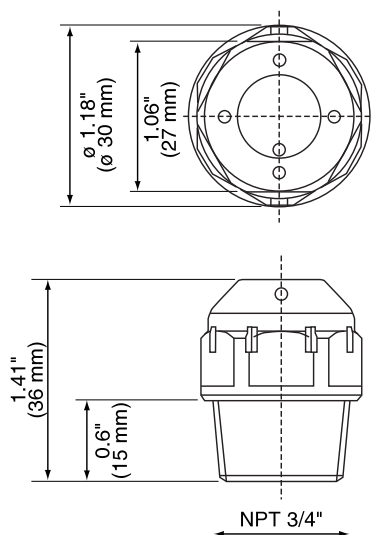
Ordering Information

DESCRIPTION		CATALOG NUMBER
Breather 8162/9	1 piece	81 620 03 01 0
Thread 3/4" NPT	100 pieces	81 620 05 02 0

Parts

DESCRIPTION	DESIGNATION	CATALOG NUMBER
Felt Washer	 Polyamide 20 piece	81 628 01 52 0

Dimensions



Temperature-dependent pressure differences between the interior of an enclosure (P1) and the external atmosphere (P2) are reliably equalized by means of the breather. Condensation build-up in the enclosure is thus kept to a minimum.