
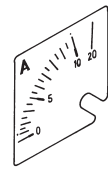




Selection Table

Version	Ammeter Voltmeter	Measuring Range		Catalog Number	
			Overload Scale	Type no. for individual order	Assembly (code for installation)
 8403 Ammeter □ 72 mm 2.83"	direct measuring	0 -20mA 0 -1/2A 0 -4/8A 0 -10/20A 0 -15/30A 0 -25/50A	2 times	8403/2-0.02/0.04 8403/2-1/2 8403/2-4/8 8403/2-10/20 8403/2-15/30 8403/2-25/50	82/0.02/0.04 82/1/2 82/4/8 82/10/20 82/15/30 82/25/50
	for current transformers	sec 1A sec 5A	2 and 5 times overload	8403/2-1 8403/2-5	82/1 82/5
 Slide-in Scale	Slide-in scale for ammeters indirect measuring	for 2 times overload or for 5 times overload measuring ranges 0 ... 1; 5; 10; 15; 20; 25; 30; 40; 50; 60; 75; 100; 150; 200; 250; 300; 500		State measuring range	
 8404 Voltmeter □ 72 mm 2.83"	direct measuring	0 -10V 0 -100V 0 -120V 0 -150V 0 -250V 0 -500V		8404/2-10 8404/2-100 8404/2-120 8404/2-150 8404/2-250 8404/2-500	79/10 79/100 79/120 79/150 79/250 79/500
	 Bezel	Bezel	2.83" x 2.83" 72mm x 72mm (for ammeter 8403 and for voltmeter 8404)	86 038 02 58 7	145



APPROVALS

UL US Certification Pending



CERTIFIED - FILE LR99480



PTB 01 ATEX 2158 U

Ammeter

The 8403 Series ammeters are used to measure current of a motor supply circuit in a potentially explosive atmosphere.

They are moving iron instruments with an accuracy class 2.5.

They are available for direct measuring up to 25 Amps, and for indirect measuring in conjunction with a current transformer either for 1 Amp or 5 Amp secondary current. For indirect measuring slide-in scales are available. Ammeter/slide-in scale must have the same ratio that the CT has. (CTs are not supplied).

A red pointer can be manually adjusted for quick visual comparison of the actual value with the set value.

Voltmeter

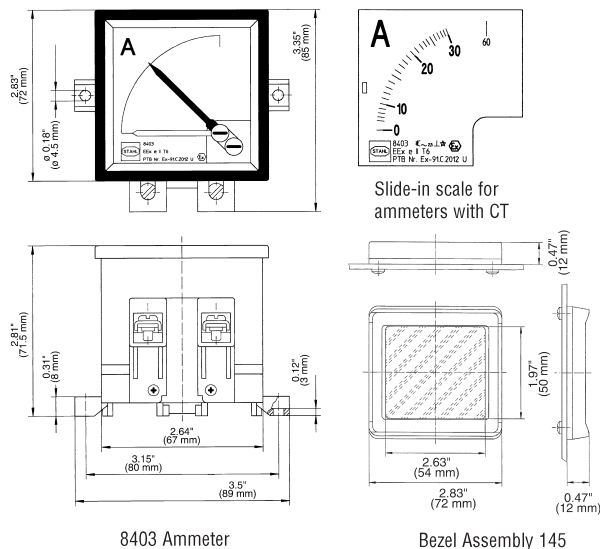
The 8404 Series of voltmeters are used to measure voltage of a motor supply circuit in a potentially explosive atmosphere.

They are moving iron instruments with an accuracy class 2.5.

A red pointer can be manually adjusted for quick visual comparison of the actual value with the set value.

Both 8403 Ammeters and 8404 Voltmeters are suitable to mount into increased safety enclosures Series 8125 or 8146.

Dimensions



8403 Ammeter and Voltmeter 8404 with bezel assembly 145

