

8146 Series Fire Alarm Stations

HAZARDOUS LOCATIONS



FIRE PROTECTION

STAHL

8146 Fire Alarm Stations Features:

- The Fire Alarm Station is made from corrosion resistant fiberglass reinforced polyester. The enclosure is molded from highly visible bright red material.
- The enclosure gasket is made from polyurethane and is installed into recessed cover groove.
- The cover screws are captivated, slotted and made of 316 grade stainless steel.
- 1/2" and 3/4" hubs are available in dead-end and feed-thru configurations.
- A hammer is mounted to the side of the alarm station and is attached by an 11" chain.



CLASSIFICATIONS

NEC- Class I, Zones 1 & 2 Ex de IIC T6
 Class I, Division 2, Groups A,B,C,D
 Class II, Division 2, Groups F,G
 Class III
 Type 3, 4 & 4X; IP66
 FILE No. E182378



CEC- Class I, Zones 1 & 2 Ex de IIC T6
 Class I, Division 2, Groups A,B,C,D
 Class II, Divisions 1 & 2, Groups E,F,G
 Class III



CSA ENCLOSURES 3, 4 & 4X; IP66
 CERTIFIED - FILE No. LR99480



II 2 G Ex ed IIC T6, Zones 1 & 2, IP66
 PTB 01 ATEX 1105

Ambient Temperature Range:

+40°C (+104°F) Max.
 -20°C (-4°F) Min.

Special Ambient Temperature Range:*

+60°C (+140°F) Max.
 -50°C (-58°F) Min.
 *Consult Factory

Automatic Model-1.5" (38mm) O.D. Red Momentary Pushbutton Actuator is released when glass is broken.

CONTACT TYPE	HUB CONFIGURATION	1/2"	3/4"
Universal (1 NO/1 NC)	Top Feed	8146/5052-C8140	8146/5052-C8143
	Bottom Feed	8146/5052-C8141	8146/5052-C8144
	Feed-Thru	8146/5052-C8142	8146/5052-C8145

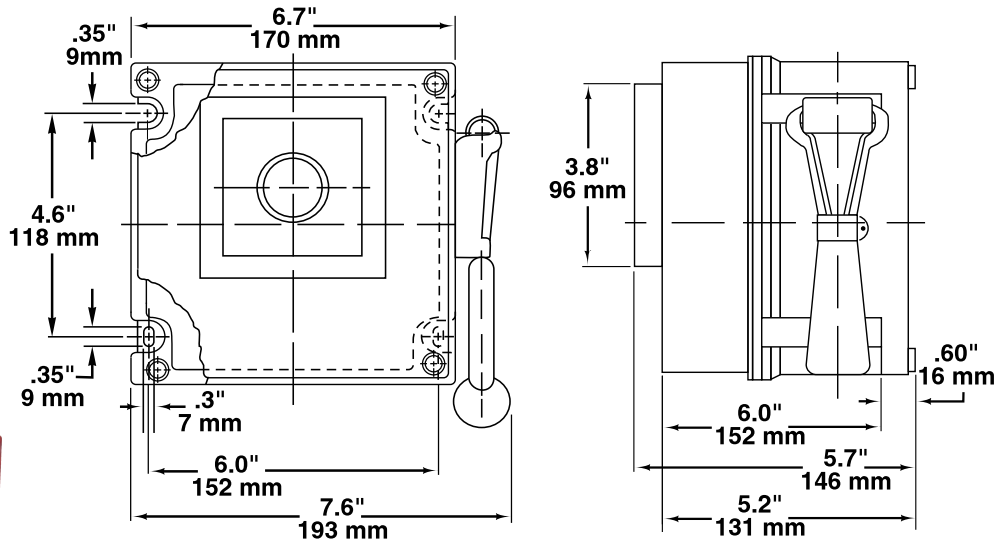
Manual Model-1.5" (38mm) O.D. Red Mushroom Pushbutton Maintained Turn-to-Release.

CONTACT TYPE	HUB CONFIGURATION	1/2"	3/4"
Universal (1 NO/1 NC)	Top Feed	8146/5052-C7960	8146/5052-C7963
	Bottom Feed	8146/5052-C7961	8146/5052-C7964
	Feed-Thru	8146/5052-C7962	8146/5052-C7965

Manual Model-1.5" (38mm) O.D. Red Mushroom Pushbutton Maintained Key to Release.

CONTACT TYPE	HUB CONFIGURATION	1/2"	3/4"
Universal (1 NO/1 NC)	Top Feed	8146/5052-C7970	8146/5052-C7973
	Bottom Feed	8146/5052-C7971	8146/5052-C7974
	Feed-Thru	8146/5052-C7972	8146/5052-C7975

Dimensions



Application

These Fire Alarm Stations are used to activate alarm circuits in hazardous and/or wet, corrosive industrial applications. The fire alarms are of the break-glass type construction.

Two styles of stations are available:

Automatic Model- after glass is broken, actuator is automatically released to activate alarm circuit.

Manual Model- after glass is broken, actuator must be pushed to activate alarm circuit.

