

CLEAN ROOM RECEPTACLE PANELS

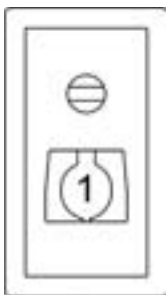


Single Panel



Duplex Panel

Ordering Information

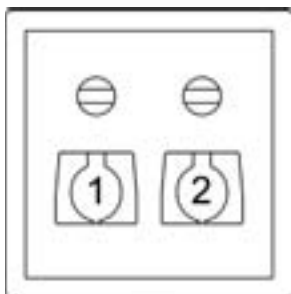


Single Panel

**CRP Single Panel
with Receptacle**

(choose receptacle from
"ordering information" table on
page D7 and fill in the red blanks)

8125/5073
8800/23 _-0-21- _ _ _ _



Duplex Panel

**CRP Duplex Panel
Receptacle left
Receptacle right**

(choose receptacles from
"ordering information" table on
page D7 and fill in the red blanks)

In addition, select mating plug(s)
from information on page D7

8125/5083
8800/23 _-0-21- _ _ _ _
8800/23 _-0-21- _ _ _ _

CLASSIFICATIONS

NEC & CEC

Class I, Division 2, Groups A,B,C,D
Class I, Zone 2, Group IIC T6
Enclosure Type 3 & 3R



II 2G Ex de IIC T5/T6, IP65
PTB 01 ATEX 1001

Applications

Designed specifically for hazardous (classified) location clean rooms, such as found in the pharmaceutical industry, where equipment must be easy to clean and free of contaminant holding cavities. Electrical devices should also be flush wall mounted with concealed wiring, to minimize contamination.

Features

Available with single or duplex receptacles, in 16 or 30 amps with a variety of voltages, and pin configurations. See page D7.

Color coding and pin configuration makes it physically impossible to mate plugs and receptacles of different voltages and current ratings (per IEC 60 309-2)

Flush mounting, smooth contours for easy cleaning.

Hazardous (classified) locations suitability.

Enclosure made of 316 stainless steel with concealed gasket.

Interlocked switch mechanism prevents accidental removal of plug from receptacle under load.

The internal disconnect switch includes an auxiliary contact for indicating control circuits.

CLEAN ROOM RECEPTACLE PANELS

Ordering Information

POLE/ WIRE	VOLTAGE (VAC) 50/60Hz	GRND. HOUR POS.	COLOR CODE	CATALOG NUMBER			
				16 AMPERE		30 AMPERE	
				RECEPTACLE	PLUG	RECEPTACLE	PLUG
2 POLE 3 WIRE	125	4	Yellow	8800/231-0-21-304	8570/22-304	—	—
	250	6	Blue	8800/231-0-21-306	8570/22-306	—	—
	480	7	Red	8800/231-0-21-307	8570/22-307	—	—
3 POLE 4 WIRE	3 ø 250	9	Blue	8800/231-0-21-409	8570/22-409	8800/232-0-21-409	8571/22-409
	3 ø 480	7	Red	8800/231-0-21-407	8570/22-407	8800/232-0-21-407	8571/22-407
	3 ø 600	5	Black	8800/231-0-21-405	8570/22-405	8800/232-0-21-405	8571/22-405
4 POLE 5 WIRE	3 øY 120/208	9	Blue	8800/231-0-21-509	8570/22-509	8800/232-0-21-509	8571/22-509
	3 øY 277/480	7	Red	8800/231-0-21-507	8570/22-507	8800/232-0-21-507	8571/22-507
	3 øY 347/600	5	Black	8800/231-0-21-505	8570/22-505	8800/232-0-21-505	8571/22-505

Technical Data

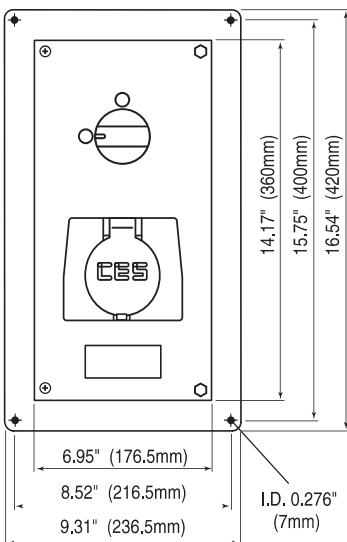
DESCRIPTION	16A RECEPTACLE	30A RECEPTACLE
ENVIRONMENTAL PROTECTION	Type 3, 3S, IP65	
TERMINAL CAPACITY MAX.	1 wire, 10 AWG 4mm ²	1 wire, 8 AWG 10mm ²
TEMP. RATING OF WIRE/CORD	75°C min.	
BACK-UP FUSE	20A (Class J) Max.	40A (Class J) Max.
FREQUENCY	50/60 Hz.	
MATERIAL	Enclosure: Stainless Steel 316T, polished Cover Gasket: Polyurethane, formed in place Switch Handle: Stainless Steel 316T Receptacle Flange: Polyester	
COVER FIXING	Cover Hinges on the right Stainless Steel	
AMBIENT TEMP.	40°C (104°F) Max. -20°C (-5°F) Min.	
ENTRY HARDWARE	See Section J	

Technical Data

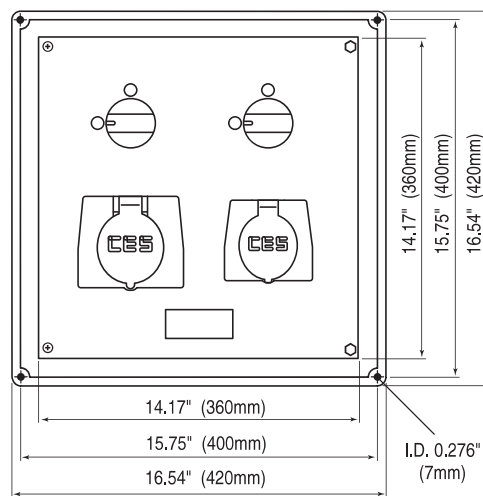
DESCRIPTION	16A PLUG	30A PLUG
ENVIRONMENTAL PROTECTION	Type 4X, IP66,	
TERMINAL CAPACITY MAX.	1 wire, 12 AWG 4mm ²	1 wire, 8 AWG 10mm ²
TEMP. RATING OF WIRE/CORD	75°C min.	
FREQUENCY	50/60 Hz.	
MATERIAL	Polyamide	
AMBIENT TEMP.	40°C (104°F) Max. -20°C (-5°F) Min.	

For Plug Dimensions see pages D4 and D5.

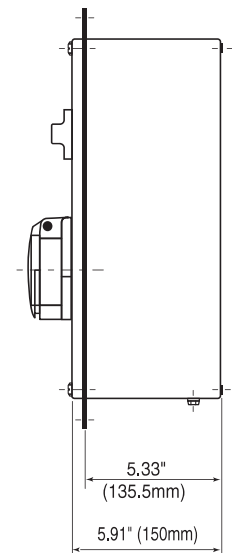
Receptacle Panel Dimensions



Single Receptacle Panel



Duplex Receptacle Panel



Single/Duplex Receptacle Profile