

Sounds like another bright idea from STAHL

The Most Compact Explosion Proof
Horns, Strobes and Combination Units



YL6 Combination Unit



ATEX



IECEX



GOST-R

Weight, space, and certification a concern? Let STAHL provide you with the solution you need. These **globally certified** compact units pack a powerful punch

Main Features

- YL6 Football shaped horn/strobe combination unit weighs only 13 pounds
- Omni Directional high output horn 110dB max @ 1 meter
- 2 stage alarm, independently selectable 2nd stage
- All units share a common explosion proof housing - machined flame paths
- Meets UL, CUL, CSA, GOST, ATEX and IECEX Approvals
- ATEX / IECEX Approved for Gas & Dust (Zone 1 & 2, 21 & 22)
- Dual cable entry
- Aluminium enclosure with stainless steel hardware
- Lens guard provided as standard
- 5 Joule xenon - flash rate 1 per second.
- Weather proof flame retardant ABS compliant horn
- 7 Lens colors in flame retardant polycarbonate
- 32 selectable tones meeting international regulations
- Easy sound selection via DIL switches
- 10 & 20 Joule Beacon available with ATEX or IECEX certification
- Telephone initiate available on ATEX or IECEX models



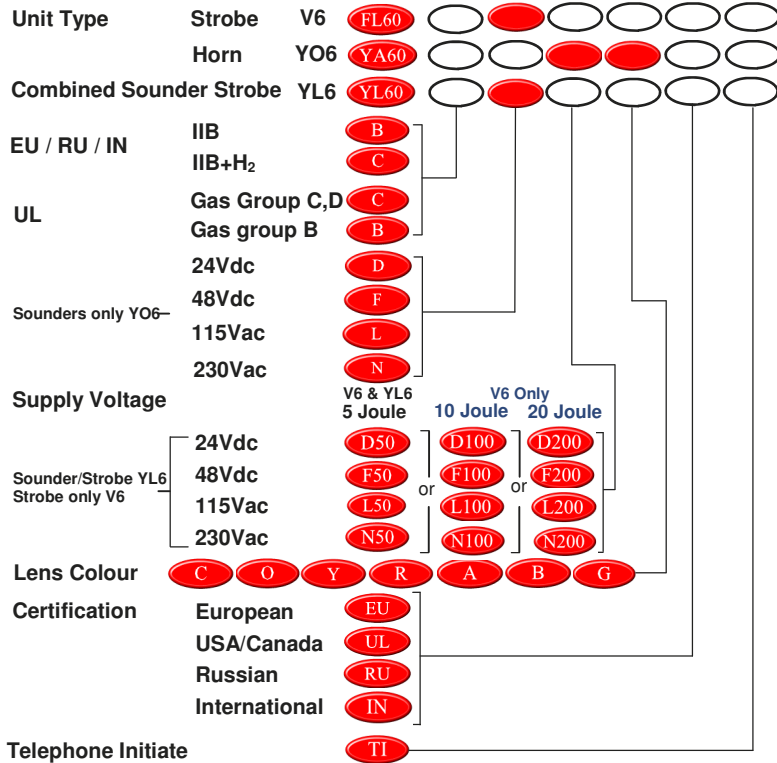
V6 Xenon Strobe



YO6 Omni Directional
Horn

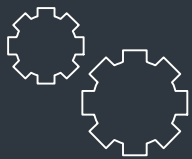
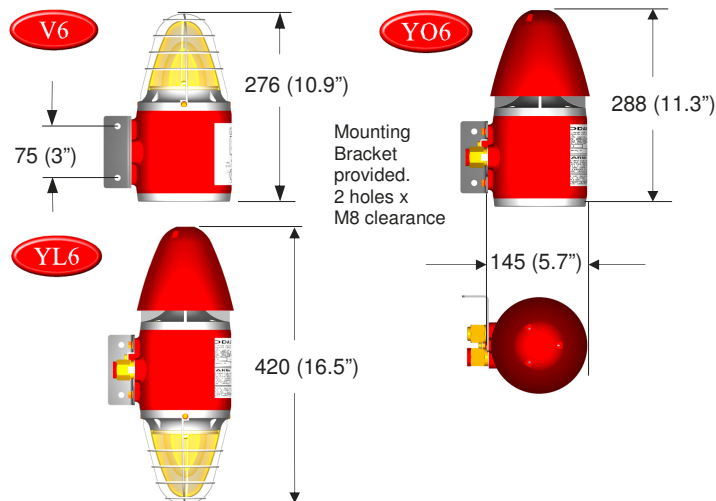


PRODUCT ORDERING CONFIGURATOR - Global Options



North American approval available on all sounders, 5 Joule beacons & combo units.
 V6 10 & 20 joule beacons only available with ATEX or IECEx approval

DIMENSIONS



Excellence in Engineering

Let our Houston based engineering team help you provide a global design and solution to fit your needs. No matter where it is in the world...



Web Solutions

Go to our website at www.rstahl.com to learn the latest new products, and technical information



Excellence in Customer Service

Let our knowledgeable Houston based customer service team assist you in real time.

