

Load & Motor Disconnect Switches For Hazardous & Corrosive Environments



DISTRIBUTION

STAHL

Features: All Models

- 15A – 150A Models
- No conduit seals required for Class I Division 2 areas
- Lightweight construction compared to cast metal enclosures
- Available in Fused and Non Fused versions
- 3 Pole (plus Auxiliary) horsepower rated switch
- Increased safety terminals and integrated ground connections
- Pad lockable robust rotary handle
- Lockout/Tagout compliant
- Multiple entry methods available

Stainless Steel Disconnects:

- Enclosure made of 316L stainless steel construction for maximum corrosion resistance
- Fused version supplied with hinged cover and slotted ¼ turn latch
- Non Fused version supplied with screw cover
- Enclosure 3, 4, 4X, IP66

FRP Disconnects:

- Enclosure made of Fiber-glass Reinforced Polyester (FRP) with recessed gasket and captive stainless steel cover screws
- Fused and Non Fused versions supplied with screw cover
- Enclosure 3, 4, 4X, IP66

Stainless Steel Disconnect Switches Non Fused

DISCONNECT SWITCHES FOR
HAZARDOUS & CORROSIVE ENVIRONMENTS



CLASSIFICATIONS

8150/5- Non Fused Disconnects

NEC® - Class I, Zone 1 AEx db eb IIC T[^] Gb
Class I, Division 2, Groups A,B,C,D
Class II, Divisions 1, Groups E,F,G
Enclosure 3, 4, 4X, IP 66

CEC- Zone 1 Ex db eb IIC T[^] Gb
Class I, Division 2, Groups A,B,C,D
Class II, Division 1 Groups E,F,G
Enclosure 3, 4, 4X, IP 66

FM APPROVED File No. FM17US0039
FM17CA0023

IEC- Ex db eb IIC T[^] Gb
Ex tb IIIC T[^] Db IP 66
IECEx PTB 09.0049

ATEX- II 2G Ex db eb IIC T[^] Gb
II 2D Ex tb IIIC T[^] Db IP 66
PTB 09 ATEX 1109

† Ambient Temperature Range
+40°C (+104°F) ... +55°C (+131°F) Max.
-50°C (-58°F) Min.

^ See Ordering Information chart



Stainless Steel Non Fused Disconnect
Screw Cover Enclosure



Ordering Information

NEC® Class 1 Zone 1 CEC / IEC / ATEX Zone 1			Rated Voltage		Horse Power Rating**							*Required Back Up Fuse Max	Max Wire Size		^ T Class	† Max Amb Temp
Catalog Number	Description	Current Rating (AMPS)	VAC	DC	600 VAC	480 VAC	240 VAC	120 VAC	60 VDC	125 VDC	250 VDC	J Type	AWG	MM ²		
			8150/5-502-0000	Non Fused 3P - No Hubs / Glands	16	600	220	10	10	5	2	-	-	-		
8150/5-503-0000	Non Fused 3P - No Hubs / Glands	25	600	125	15	15	7.5	3	-	3	5	40	8	10	T5	55°C
8150/5-506-0000	Non Fused 3P - No Hubs / Glands	60	600	240	50	40	20	10	-	7.5	15	150	2	25	T6	40°C
8150/5-507-0000	Non Fused 3P - No Hubs / Glands	80	480	240	-	60	30	10	10(1)	10(2)	30(3)	150	2	25	T6	40°C
8150/5-508-0000	Non Fused 3P - No Hubs / Glands	125	600	240	125	100	40	20	-	10(2)	20(3)	200	4/0	95	T5	40°C
8150/5-509-0000	Non Fused 3P - No Hubs / Glands	150	480	240	-	100	50	25	-	10(2)	20(3)	200	4/0	95	T5	40°C

NEC®/CEC / Class 1 Division 2			Rated Voltage		Horse Power Rating**							*Required Back Up Fuse Max	Max Wire Size		^ T Class	† Max Amb Temp
Catalog Number	Description	Current Rating (AMPS)	VAC	DC	600 VAC	480 VAC	240 VAC	120 VAC	60 VDC	125 VDC	250 VDC	J Type	AWG	MM ²		
			7150/5-501-0000	Non Fused 3P - No Hubs / Glands	15	600	220	10	10	5	2	-	-	-		
7150/5-503-0000	Non Fused 3P - No Hubs / Glands	25	600	125	15	15	7.5	3	-	3	5	40	8	10	T5	55°C
7150/5-506-0000	Non Fused 3P - No Hubs / Glands	60	600	240	50	40	20	10	-	7.5	15	150	2	25	T6	40°C
7150/5-507-0000	Non Fused 3P - No Hubs / Glands	80	480	240	-	60	30	10	10(1)	10(2)	30(3)	150	2	25	T6	40°C
7150/5-508-0000	Non Fused 3P - No Hubs / Glands	125	600	240	125	100	40	20	-	10(2)	20(3)	200	4/0	95	T5	40°C
7150/5-509-0000	Non Fused 3P - No Hubs / Glands	150	480	240	-	100	50	25	-	10(2)	20(3)	200	4/0	95	T5	40°C

* Required back up fused upstream in the circuit.

** The numbers within brackets indicate how many switch contacts need to be wired in series to achieve the indicated horsepower ratings in DC application.

^ See Classification Chart.

† Consult factory.



Stainless Steel Disconnect Switches Fused

DISCONNECT SWITCHES FOR
HAZARDOUS & CORROSIVE ENVIRONMENTS



Stainless Steel Fused Disconnect
Hinged Cover Enclosure

DISTRIBUTION



CLASSIFICATIONS

7150/5- Fused Disconnects

NEC® - Class I, Division 2, Groups A,B,C,D
Enclosure 3, 4, 4X, IP 66

CEC- Class I, Division 2, Groups A,B,C,D
Zone 2 IIC T[^]
Enclosure 3, 4, 4X, IP 66



File No. FM17US0039
FM17CA0023

† Ambient Temperature Range
+40°C (+104°F) ... +55°C (+131°F) Max.
-40°C (-40°F) Min.

[^] See Ordering Information chart

Ordering Information

NEC® / CEC / Class 1 Division 2			Rated Voltage		Horse Power Rating **							Included Back Up Fuse	Max Wire Size		T Class	† Max Amb Temp
Catalog Number	Description	Current Rating (AMPS)	VAC	DC	600 VAC	480 VAC	240 VAC	120 VAC	60 VDC	125 VDC	250 VDC	J Type	AWG	MM ²		
															7150/5-521-0000	Fused 3P - No Hubs / Glands
7150/5-523-0000	Fused 3P - No Hubs / Glands	25	600	125	15	15	7.5	3	-	3	5	30	8	10	T4	55°C
7150/5-526-0000	Fused 3P - No Hubs / Glands	60	600	240	50	40	20	10	-	7.5(2)	15(2)	80	2	25	T4	55°C
7150/5-527-0000	Fused 3P - No Hubs / Glands	80	480	240	-	60	30	10	10(1)	10(2)	30(3)	100	2	25	T4	40°C
7150/5-528-0000	Fused 3P - No Hubs / Glands	125	600	240	125	100	40	20	-	10(2)	20(3)	150	4/0	95	T4	40°C

** The numbers within brackets indicate how many switch contacts need to be wired in series to achieve the indicated horsepower ratings in DC application.

[^] See Classification Chart.

† Consult factory.

- IEC: International Electrotechnical Commission
- NEC®: National Electrical Code
- CEC: Canadian Electrical Code



EXPLOSION PROTECTION by R. STAHL 1-800-782-4357

FRP Series Disconnect Switches Non Fused

DISCONNECT SWITCHES FOR
HAZARDOUS & CORROSIVE ENVIRONMENTS



CLASSIFICATIONS

8146/5- Non Fused Disconnects

NEC® - Class I, Zone 1 AEx db eb IIC T[▲] Gb
Class I, Division 2, Groups A,B,C,D
Class II, Divisions 1, Groups E,F,G
Enclosure 3, 4, 4X, IP 66

CEC- Zone 1 Ex db eb IIC T[▲] Gb
Class I, Division 2, Groups A,B,C,D
Class II, Division 1 Groups E,F,G
Enclosure 3, 4, 4X, IP 66

FM APPROVED File No. FM18US0275X
FM18CA0132X

IEC- Ex db eb IIC T[▲] Gb
Ex tb IIIC T[▲] Db IP 66
IECEX PTB 06.0090

ATEX- Ⓢ II 2G Ex db eb IIC T[▲] Gb
Ⓢ II 2D Ex tb IIIC T[▲] Db IP 66
PTB 01 ATEX 1024

† Ambient Temperature Range
+40°C (+104°F) ... +55°C (+131°F) Max.
-50°C (-58°F) Min.

▲ See Ordering Information chart



Installation Example

Ordering Information

NEC® Class 1 Zone 1 CEC / IEC / ATEX Zone 1			Rated Voltage		Horse Power Rating**							*Required Back Up Fuse Max	Max Wire Size		▲ T Class	† Max Amb Temp
Catalog Number	Description	Current Rating (AMPS)	VAC	DC	600 VAC	480 VAC	240 VAC	120 VAC	60 VDC	125 VDC	250 VDC	J Type	AWG	MM ²		
8146/5-602-0000	Non Fused 3P - No Hubs / Glands	16	600	220	10	10	5	2	-	-	-	20	12	2.5	T5	55°C
															T6	40°C
8146/5-603-0000	Non Fused 3P - No Hubs / Glands	25	600	125	15	15	7.5	3	-	3	5	40	8	10	T5	55°C
															T6	40°C
8146/5-606-0000	Non Fused 3P - No Hubs / Glands	60	600	240	50	40	20	10	-	7.5	15	150	2	25	T5	55°C
8146/5-607-0000	Non Fused 3P - No Hubs / Glands	80	480	240	-	60	30	10	10(1)	10(2)	30(3)	150	2	25	T5	55°C
8146/5-608-0000	Non Fused 3P - No Hubs / Glands	125	600	240	125	100	40	20	-	10(2)	20(3)	200	4/0	95	T5	55°C
8146/5-609-0000	Non Fused 3P - No Hubs / Glands	150	480	240	-	100	50	25	-	10(2)	20(3)	200	4/0	95	T4	55°C

NEC® / CEC / Class 1 Division 2			Rated Voltage		Horse Power Rating**							*Required Back Up Fuse Max	Max Wire Size		▲ T Class	† Max Amb Temp
Catalog Number	Description	Current Rating (AMPS)	VAC	DC	600 VAC	480 VAC	240 VAC	120 VAC	60 VDC	125 VDC	250 VDC	J Type	AWG	MM ²		
7146/5-601-0000	Non Fused 3P - No Hubs / Glands	15	600	220	10	10	5	2	-	-	-	20	12	2.5	T5	55°C
															T6	40°C
7146/5-603-0000	Non Fused 3P - No Hubs / Glands	25	600	125	15	15	7.5	3	-	3	5	40	8	10	T5	55°C
															T6	40°C
7146/5-606-0000	Non Fused 3P - No Hubs / Glands	60	600	240	50	40	20	10	-	7.5	15	150	2	25	T5	55°C
7146/5-607-0000	Non Fused 3P - No Hubs / Glands	80	480	240	-	60	30	10	10(1)	10(2)	30(3)	150	2	25	T5	55°C
7146/5-608-0000	Non Fused 3P - No Hubs / Glands	125	600	240	125	100	40	20	-	10(2)	20(3)	200	4/0	95	T5	55°C
7146/5-609-0000	Non Fused 3P - No Hubs / Glands	150	480	240	-	100	50	25	-	10(2)	20(3)	200	4/0	95	T4	55°C

* Required back up fused upstream in the circuit.

** The numbers within brackets indicate how many switch contacts need to be wired in series to achieve the indicated horsepower ratings in DC application.

▲ See Classification Chart.

† Consult factory.



FRP Series Disconnect Switches Fused

DISCONNECT SWITCHES
FOR HAZARDOUS & CORROSIVE ENVIRONMENTS



Fiberglass Reinforced Polyester (FRP) Fused Disconnect Screw Cover Enclosure



DISTRIBUTION



CLASSIFICATIONS

7146/5- Fused Disconnects

NEC® - Class I, Division 2, Groups A,B,C,D
Enclosure 3, 4, 4X, IP 66

CEC- Class I, Division 2, Groups A,B,C,D
Zone 2 IIC T[†]
Enclosure 3, 4, 4X, IP 66



File No. FM18US0275X
FM18CA0132X

† Ambient Temperature Range
+40°C (+104°F) ... +55°C (+131°F) Max.
-40°C (-40°F) Min.

^ See Ordering Information chart.

Ordering Information

NEC®/CEC / Class 1 Division 2																
Catalog Number	Description	Current Rating (AMPS)	Rated Voltage		Horse Power Rating**							Included Back Up Fuse	Max Wire Size		T Class	† Max Amb Temp
			VAC	DC	600 VAC	480 VAC	240 VAC	120 VAC	60 VDC	125 VDC	250 VDC		J Type	AWG		
7146/5-621-0000	Fused 3P - No Hubs / Glands	15	600	220	10	10	5	2	-	-	-	20	12	2.5	T4	55°C
7146/5-623-0000	Fused 3P - No Hubs / Glands	25	600	125	15	15	7.5	3	-	3	5	30	8	10	T4	55°C
7146/5-626-0000	Fused 3P - No Hubs / Glands	60	600	240	50	40	20	10	-	7.5(2)	15(2)	80	2	25	T4	55°C
7146/5-627-0000	Fused 3P - No Hubs / Glands	80	480	240	-	60	30	10	10(1)	10(2)	30(3)	100	2	25	T4	55°C
7146/5-628-0000	Fused 3P - No Hubs / Glands	125	600	240	125	100	40	20	-	10(2)	20(3)	150	4/0	95	T4	40°C

** The numbers within brackets indicate how many switch contacts need to be wired in series to achieve the indicated horsepower ratings in DC application.

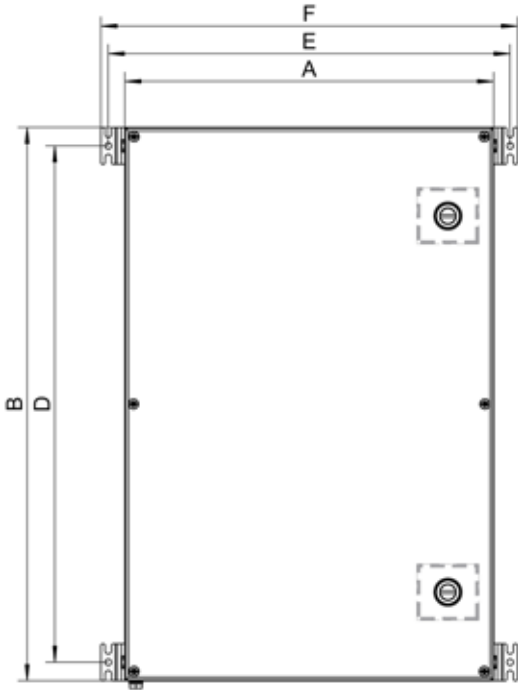
^ See Classification Chart.

† Consult factory.



DIMENSIONS

DIMENSIONS



Dimensions in Inches (mm)

Switch Only						
Catalog Number	A	B	C	D	E	F
8150/5-501-0000	6.93 (176)	9.29 (236)	5.90 (150)	7.72 (196)	8.35 (212)	8.98 (228)
8150/5-503-0000	6.93 (176)	9.29 (236)	5.90 (150)	7.72 (196)	8.35 (212)	8.98 (228)
8150/5-506-0000	11.81 (300)	15.74(400)	5.90 (150)	14.17 (360)	13.23 (336)	13.86 (352)
8150/5-507-0000	14.17 (360)	21.65 (550)	9.05 (230)	20.08 (510)	15.60 (396)	16.22 (412)
8150/5-508-0000	14.17 (360)	28.62 (727)	5.90 (150)	27.05 (687)	15.60 (396)	16.22 (412)
8150/5-509-0000	14.17 (360)	28.62 (727)	7.48 (190)	27.05 (687)	15.60 (396)	16.22 (412)

Switch Only						
Catalog Number	A	B	C	D	E	F
7150/5-502-0000	6.93 (176)	9.29 (236)	5.90 (150)	7.72 (196)	8.35 (212)	8.98 (228)
7150/5-503-0000	6.93 (176)	9.29 (236)	5.90 (150)	7.72 (196)	8.35 (212)	8.98 (228)
7150/5-506-0000	11.81 (300)	15.74(400)	5.90 (150)	14.17 (360)	13.23 (336)	13.86 (352)
7150/5-507-0000	14.17 (360)	21.65 (550)	9.05 (230)	20.08 (510)	15.60 (396)	16.22 (412)
7150/5-508-0000	14.17 (360)	28.62 (727)	5.90 (150)	27.05 (687)	15.60 (396)	16.22 (412)
7150/5-509-0000	14.17 (360)	28.62 (727)	7.48 (190)	27.05 (687)	15.60 (396)	16.22 (412)

Switch & Fuse						
Catalog Number	A	B	C	D	E	F
7150/5-522-0000	7.87 (200)	11.81 (300)	5.90 (150)	10.24 (260)	9.29 (236)	9.92 (252)
7150/5-523-0000	7.87 (200)	11.81 (300)	5.90 (150)	10.24 (260)	9.29 (236)	9.92 (252)
7150/5-526-0000	15.75 (400)	23.62 (600)	5.90 (150)	27.05 (687)	15.59 (396)	16.22 (412)
7150/5-527-0000	15.75 (400)	23.62 (600)	5.90 (150)	27.05 (687)	15.59 (396)	16.22 (412)
7150/5-528-0000	18.90 (480)	30.98 (787)	9.06 (230)	29.41 (747)	20.31 (516)	20.94 (532)

Please note the fused disconnects are hinged and provided with a slotted 1/4 turn cam lock. The switch only models are screw cover enclosure. For the alternative please consult factory.



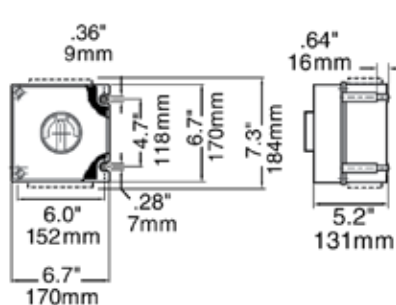
Hazardous Location Conduit Hubs with "Increased Safety"

Grounding Terminal

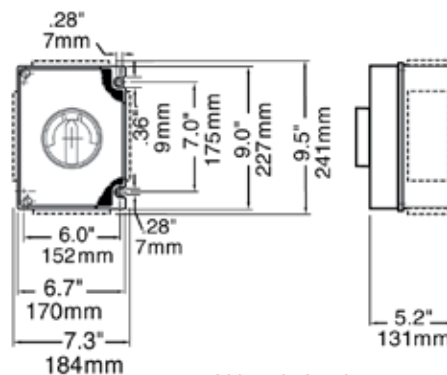
Ordering Information

Size NPT	Catalog Number	(H) Enclosure Thru Hole I.D.
1/2"	8166/11-01-NE	7/8"
3/4"	8166/11-02-NE	1-1/8"
1"	8166/11-03-NE	1-3/8"
1-1/4"	8166/11-04-NE	1-3/4"
1-1/2"	8166/11-05-NE	2"
2"	8166/11-06-NE	2-1/2"
2-1/2"	8166/11-07-NE	3"
3"	8166/11-08-NE	3-5/8"

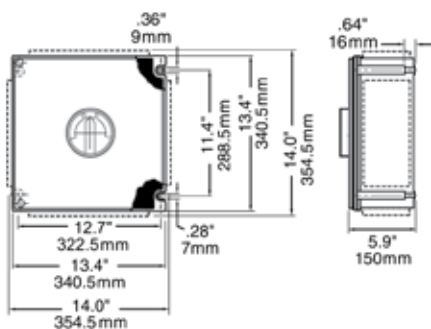
DIMENSIONS



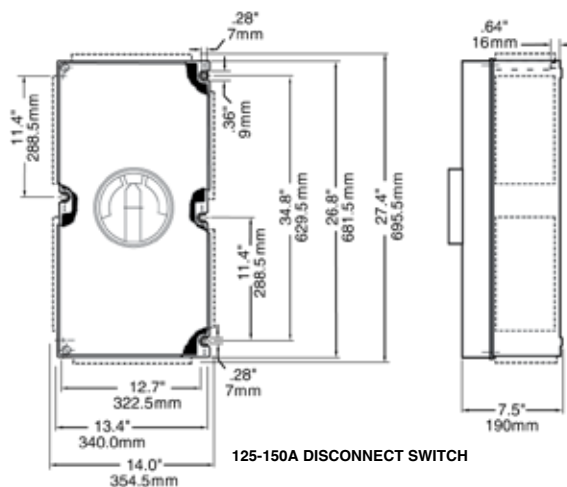
15-16A DISCONNECT SWITCH



25A DISCONNECT SWITCH



60-80A DISCONNECT SWITCH



125-150A DISCONNECT SWITCH

Ordering Information (Dimensions in Inches)

C CABLE GLAND SIZE NPT	E ACTUAL THREAD LENGTH	A MAX. CABLE ARMOR DIA.		B CABLE JACKET DIAMETER		D ENVELOPE DIA. ACROSS		F NOMINAL ASSMLD. LENGTH	PVC SHROUD REF.	CATALOG NUMBER		
		END STOP IN MIN.	END STOP OUT MAX.	MIN.	MAX.	FLATS	CRNRS.					
1/2"	0.79	—	—	0.342	0.503	0.354	0.550	1.18	1.31	2.20	PVC06	TMC050SA
1/2"	0.79	—	—	0.437	0.669	0.510	0.787	1.42	1.57	2.20	PVC09	TMC050A
3/4"	0.81	0.591	0.756	0.756	0.917	0.669	1.035	1.61	1.79	2.20	PVC11	TMC075A
1"	0.99	0.775	0.969	0.969	1.150	0.910	1.268	1.96	2.18	2.24	PVC13	TMC100A
1-1/4"	1.02	1.083	1.228	1.228	1.386	1.161	1.504	2.16	2.40	2.24	PVC15	TMC125A
1-1/2"	1.04	1.320	1.461	1.461	1.618	1.402	1.736	2.36	2.62	2.37	PVC18	TMC150A
2"	1.07	1.508	1.677	1.677	1.854	1.579	2.008	2.78	3.06	2.58	PVC21	TMC200SA
2"	1.07	1.772	1.933	1.933	2.087	1.858	2.205	2.96	3.28	2.49	PVC23	TMC200A
2-1/2"	1.58	2.052	2.161	2.161	2.320	2.079	2.441	3.14	3.49	2.50	PVC28	TMC250SA
2-1/2"	1.58	2.247	2.406	2.406	2.545	2.327	2.677	3.35	3.71	2.52	PVC28	TMC250A
3"	1.65	2.543	2.776	2.776	2.965	2.622	3.126	4.33	4.80	3.57	PVC3	TMC300A
3-1/2"	1.69	2.91	3.291	3.291	3.485	2.992	3.830	5.25	5.82	4.61	—	TMC350A
4"	1.74	—	—	3.500	4.020	3.700	4.220	5.28	5.84	7.66	—	TMC400A



The standard Material is Copper Free Aluminum (<0.4%), indicated by an A at the end of the Catalog Number. For other Material Options change the A to the indicated letters of the material options:

- Insert Material Option
- SS- Stainless Steel
 - NB- Electroless Nickel Plated Brass



LOOK FOR OUR EPIK SOLUTIONS

EPIK

FOR MORE INFORMATION
CONTACT YOUR STAHL REPRESENTATIVE

STAINLESS STEEL EPIK MOTOR STARTER



STAINLESS STEEL EPIK BREAKER PANEL



STAINLESS STEEL
EXPLOSION PROTECTED

CONTACT US:
sales@rstahl.com

13259 N. Promenade Blvd.
Stafford, TX 77477
U.S.A
800.782.4357

7003-56 Ave.
Edmonton, Alberta
Canada T6B-3L2
877.416.4302

www.rstahl.com

ID# LR01092019